

Hitachi Kokusai Electric

HITACHI

Inspire the Next

4K Multi-Purpose Camera

DK-H700

4K ^{ULTRA} HD

HDR
HIGH DYNAMIC RANGE



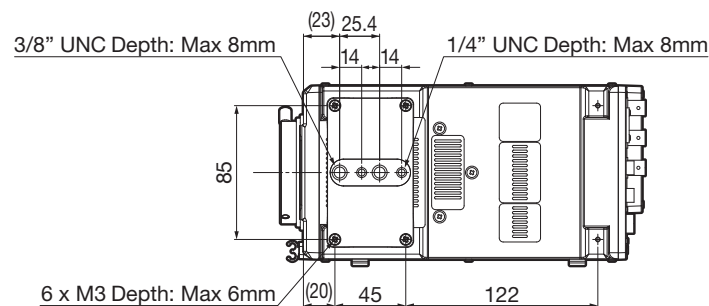
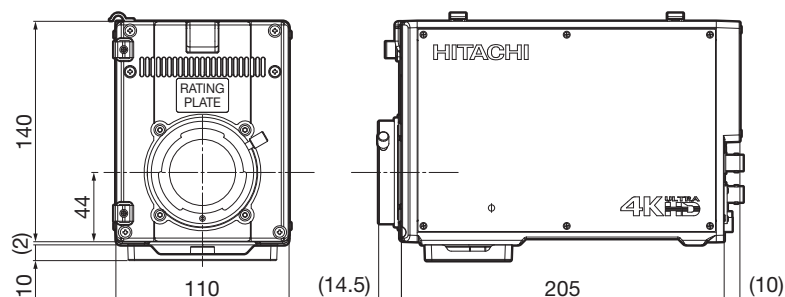
- Newly developed technology to achieves ITU-R BT.2020 broadcast standard widened color space.
- 2/3" Lens Compatibility for those difficult shots that require the most advanced specifications.
- Advanced Auto Chroma Feature to keep theatrical lighting in true color space.
- Easy integration to 3rd parties' robotic systems.
- Direct compatibility with existing remote panels.

Specifications

Camera Head DK-H700

Model name	DK-H700(59.94 Hz), DK-H700E(50 Hz)
Image sensor	3-chips, 2/3-inch, CMOS image sensor with global shutter Effective pixels : 3,840 (H) × 2,160 (V)
Signal format	2160p, 1080psf, 1080p, 1080i, 720p
Prism	F1.4
Optical Filter	1x motorized filter wheel ND (CLEAR, 1/4 ND, 1/16 ND, 1/64 ND)
ECC Filter	3200K, 4300K, 5600K, 6300K, 8000K
Lens mount	B4 Bayonet
Horizontal Resolution	2000 TVL (At center, 5% or higher modulation depth)
SNR	62dB typ.
Sensitivity	59.94p : F10 @ 2000 lx, 3200 K, 89.9% reflectance 50p : F11 @ 2000 lx, 3200 K, 89.9% reflectance
Minimum illumination	0.001 lx (at F1.4, +36dB gain and two second long time integration)
Vertical Smear	No smear
Gain selection	L (low) -9/-6/-3/0 dB M (medium) 0/+3/+6/+9/+12/+15/+18/+21 dB H (high) +3/+6/+9/+12/+15/+18/+21/+24/+27/+30/+33/+36 dB
Shutter	Preset mode 1/100, 1/250, 1/500, 1/1000, 1/2000, 1/4000, 1/10000 second (59.94 Hz) 1/60, 1/250, 1/500, 1/1000, 1/2000, 1/4000, 1/10000 second (50 Hz) Lock scan mode 1/60.53 to 1/11077, 0.03 to 2.14 second (59.94Hz) 1/50.39 to 1/9246, 0.04 to 2.56 second (50Hz) AES mode The video level is maintained by controlling shutter speed.
Geometric distortion	Overall: 0% (excluding lens characteristics)
Registration Overall	0.01% (excluding lens characteristics)
Dimensions	110(W) x 140(H) x 205(D) (excluding protrusions)
Power supply voltage	DC 12 V (10.5 V to 17 V)
Power Consumption	Approx. 60 W (DC12V)
Temperature range	Operation -20 °C to +45 °C, -4 °F to +113 °F Storage -20 °C to +60 °C, -4 °F to +140 °F
MASS	Approx. 2.4 kg (5.3 lbs)
Input & Output	MON OUT: 1X BNC HD-SDI out (Character ON/OFF) SDI OUT1/2: 2X BNC 12G/6G/3G/HD-SDI out GL IN: 1X BNC for Tri-level sync or BB REMOTE1: 4-pin Multi connector for Remote Control Unit REMOTE2: 8-pin RJ-45 connector for 10BASE-T/100BASE-T TALLY OUT: 6-pin Multi connector for R/G TALLY LENS: 12-pin Multi LENS connector DC IN: 4-pin XLR connector

Dimensions



Rear View

Features and specifications are subject to change without notice.
All other trademarks are the property of their respective owners.

CAUTION : To ensure safe operation, please read the instruction manual before using this product.

Hitachi Kokusai Electric Inc.

URL : <https://www.hitachi-kokusai.co.jp/global/en/index.html>
32, Miyuki-cho, kodaira-shi, Tokyo 187-8511, Japan
Phone : +81-42-322-3111, Fax : +81-42-322-3303

Hitachi Kokusai Electric Asia (Singapore) Pte. Ltd.

URL : <https://www.hitachi-kokusai.com.sg/>
7 Tampines Grande, #02-02A Hitachi Square,
Singapore 528736
Phone : +65-(0)6212-1945, Fax : +65-(0)6231-2429

Hitachi Kokusai Electric America, Ltd.

URL: <https://www.hitachikokusai.us/>
Headquarters
104 Feeding Hills Road Southwick, MA 01077, U.S.A.
Toll Free : +1 (833) 227-1658,
Phone : +1 (669) 207-5038

West Office
11258 Monarch Street, Unit H
Garden Grove, CA 92841, U.S.A.

West Sales Phone : +1 (516) 682-4448
East Sales Phone : +1 (516) 682-4445
Midwest Sales Phone : +1 (516) 682-4450

Hitachi Kokusai Electric Europe GmbH

URL : <https://www.hitachi-keu.com/>
Frankfurt Head Office
Siemensstr. 9, D-63263 Neu-Isenburg, Germany
Phone : +49 (0) 6102-8332-0, Fax : +49 (0) 6102-8332-499
London Office
Orion House, Bessemer Road, Welwyn Garden City, Herts,
AL7 1HH, UK
Phone : +44 (0) 7808 330195

Hitachi Kokusai Linear Equipamentos Eletrônicos S/A

URL : <https://www.hitachi-linear.com.br/>
Avenida Frederico de Paula Cunha, 1001 - Maristela
Santa Rita do Sapucaí - MG - Brasil - CEP: 37540-000
Phone : +55 (35) 3473-3473, Fax : +55 (35) 3473-3474